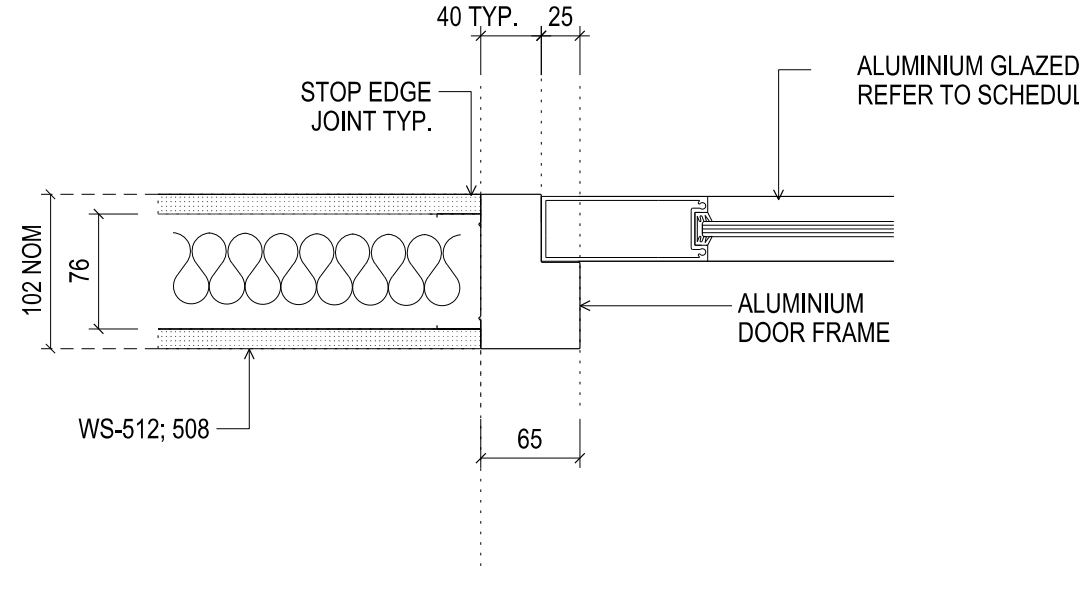
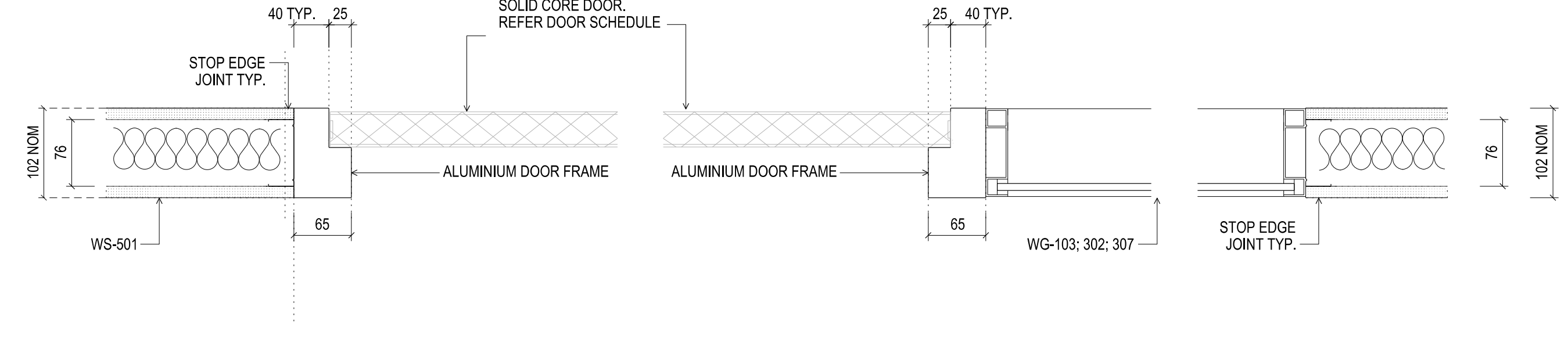


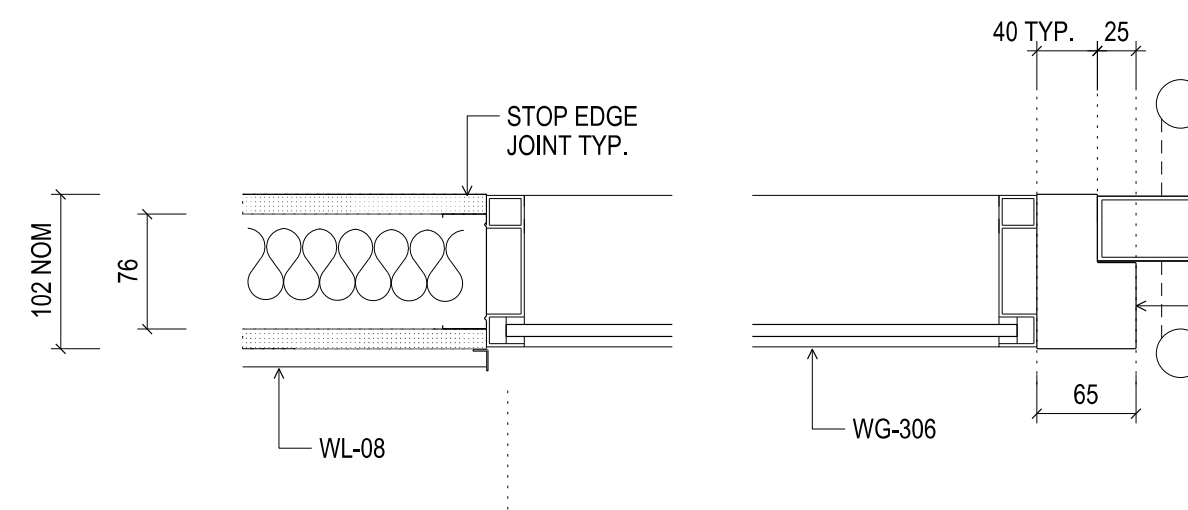
01 DOOR FRAME TYPE A
76 STEEL STUD WITH LINING TO BOTH FACES
SCALE 1:5
TO SUIT WALL TYPE WS-512, 508 + LINING DOORS D3-25; D3-19; D3-26; D3-76; D3-77; D4-24; D4-26



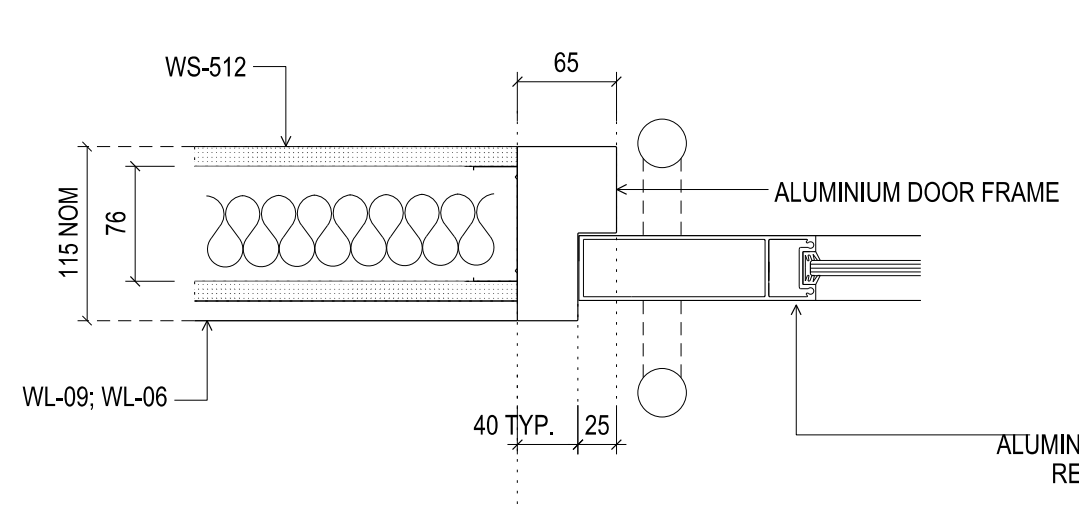
03 DOOR FRAME TYPE A
76 STEEL STUD WITH LINING TO BOTH FACES
SCALE 1:5
TO SUIT WALL TYPE WS-512; 508 DOORS D2-14; D2-16; D3-53; D4-21; D4-22



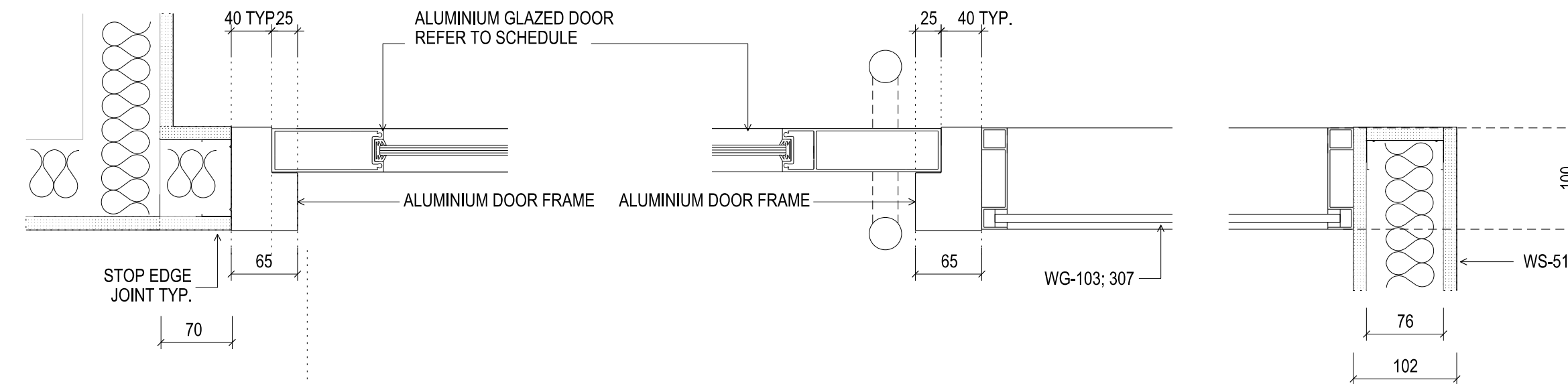
03 DOOR FRAME TYPE A
76 STEEL STUD WITH LINING TO BOTH FACES AND SIDELIGHT
SCALE 1:5
TO SUIT WALL TYPE WS-501 AND WG-103,307,302 DOORS D2-57; D3-21; D3-22; D3-51



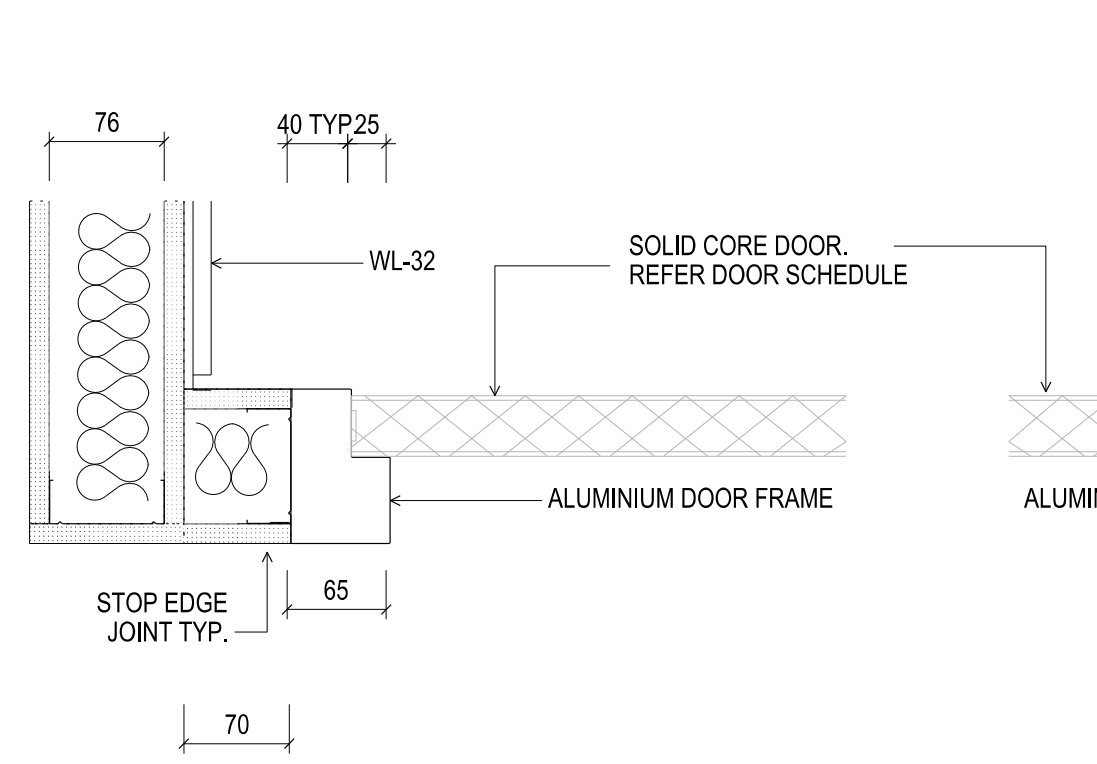
04 DOOR FRAME TYPE A
76 STEEL STUD WITH LINING TO BOTH FACE AND SIDELIGHT
SCALE 1:5
TO SUIT WALL TYPE WS-501 + WG-306 DOORS D2-17



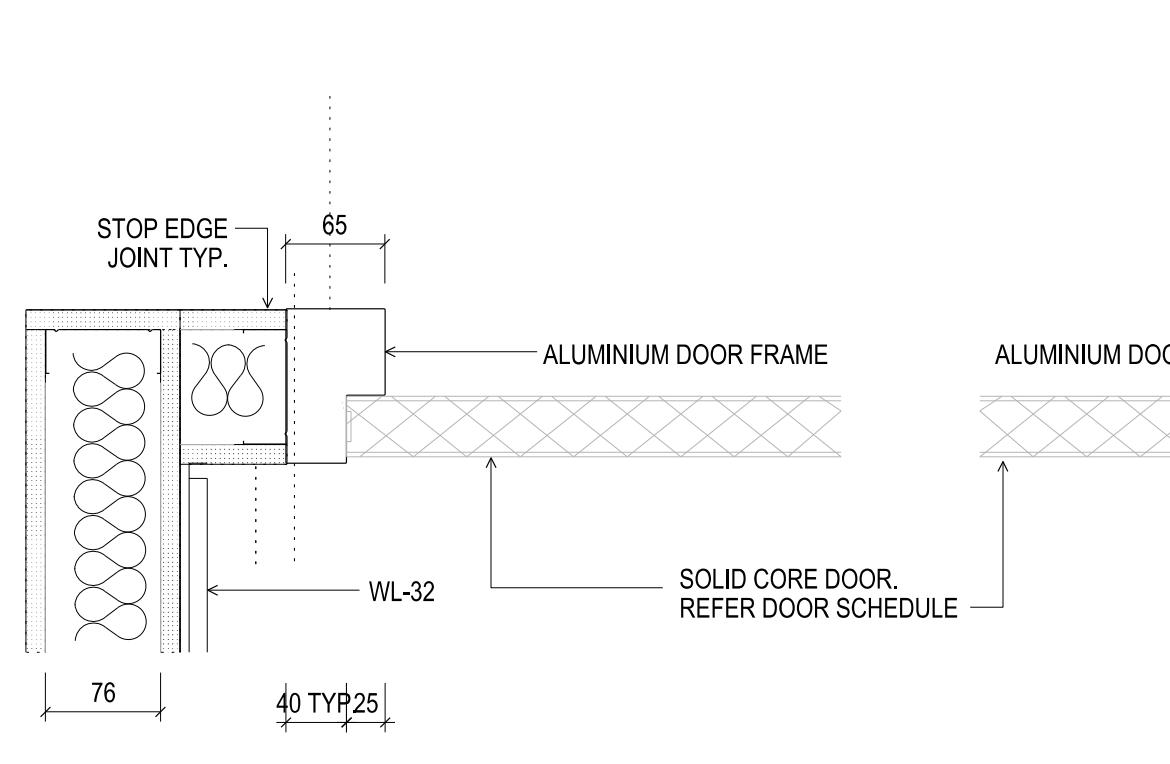
05 DOOR FRAME TYPE A
76 STEEL STUD WITH LINING TO BOTH FACES
SCALE 1:5
TO SUIT WALL TYPE WS-512 + LINING DOORS D3-15



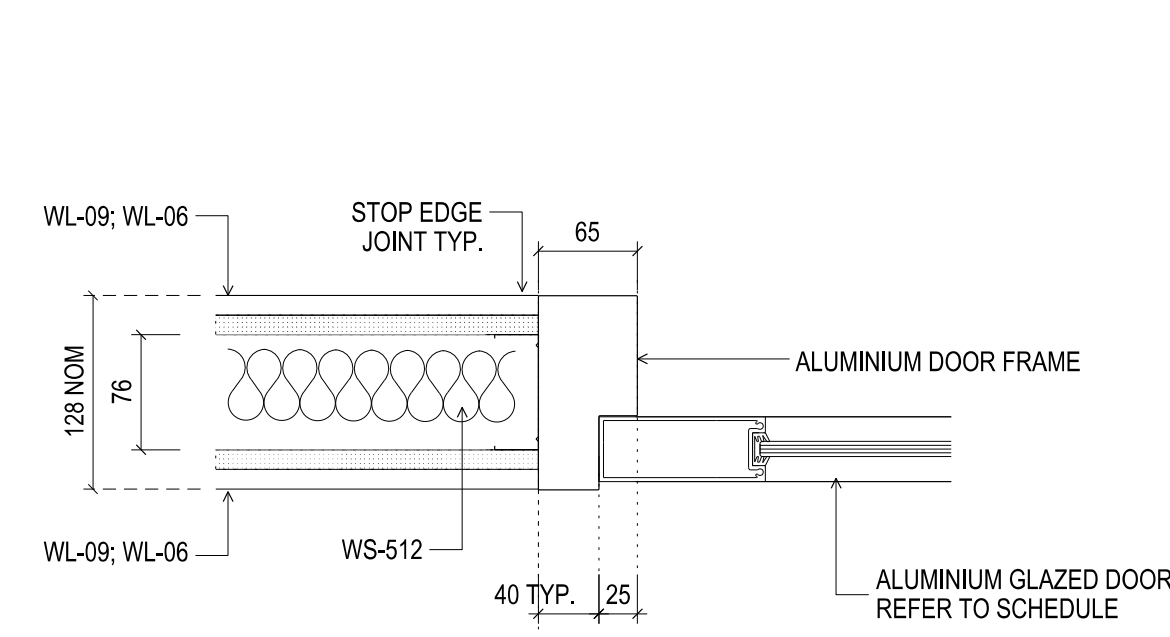
06 DOOR FRAME TYPE A
76 STEEL STUD WITH LINING TO BOTH FACE AND SIDELIGHT
SCALE 1:5
TO SUIT WS 512 AND WG-103,307 DOORS D2-48; SIM: D2-49



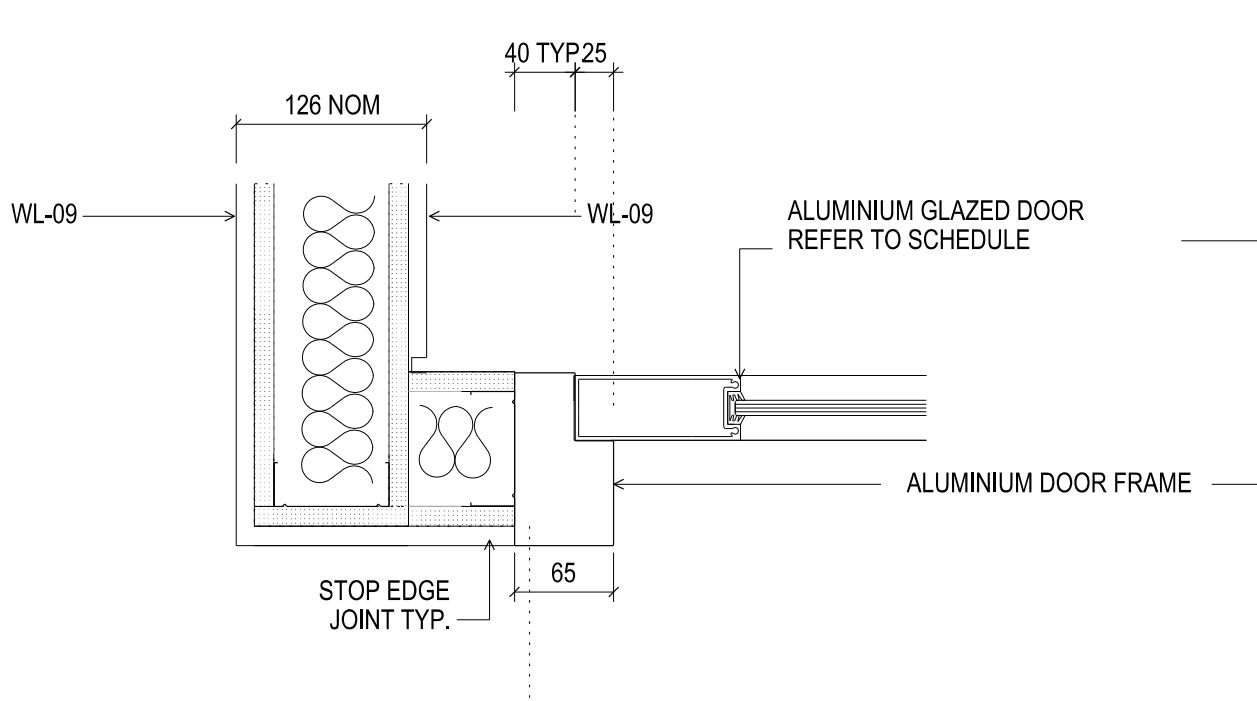
07 DOOR FRAME TYPE A
76 STEEL STUD WITH LINING TO BOTH FACES AND SIDELIGHT
SCALE 1:5
TO SUIT WALL TYPE WS-508 + WG-103 DOORS D2-59



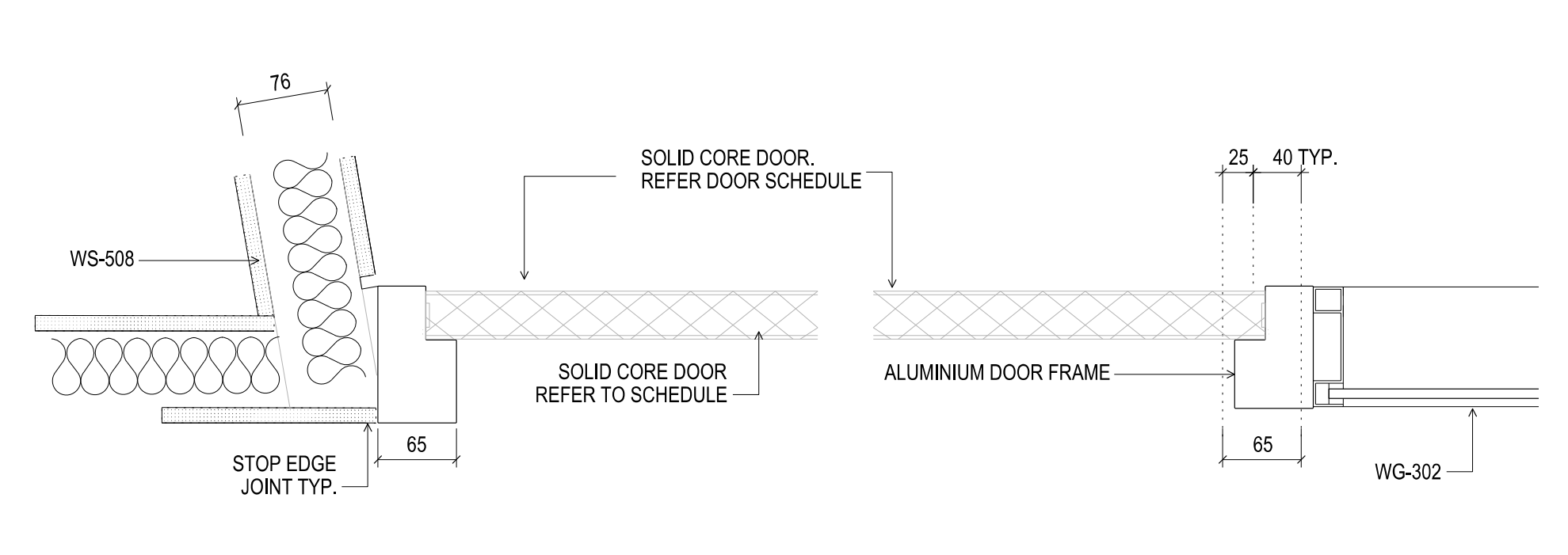
08 DOOR FRAME TYPE A
76 STEEL STUD WITH LINING TO BOTH FACES AND SIDELIGHT
SCALE 1:5
TO SUIT WALL TYPE WS-508 + WG-306 DOORS D2-58



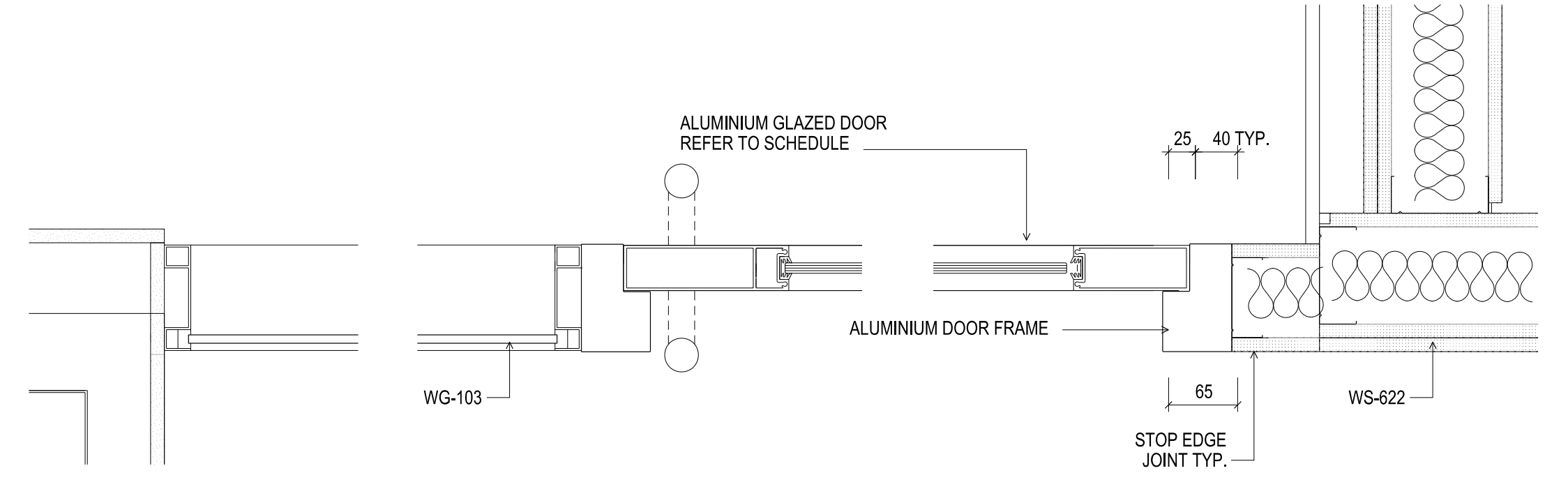
09 DOOR FRAME TYPE A
76 STEEL STUD WITH LINING TO BOTH FACES
SCALE 1:5
TO SUIT WALL TYPE WS-512 + LINING DOORS D3-26



10 DOOR FRAME TYPE A
76 STEEL STUD WITH LINING TO BOTH FACES
SCALE 1:5
TO SUIT WALL TYPE WS-508 + LINING DOORS D2-56



11 DOOR FRAME TYPE A
76 STEEL STUD WITH LINING TO BOTH FACES AND GLAZING
SCALE 1:5
TO SUIT WALL TYPE WS-508 + WS-302 DOORS D3-13



12 DOOR FRAME TYPE A
76 STEEL STUD WITH LINING TO BOTH FACES AND SIDELIGHT
SCALE 1:5
TO SUIT WALL TYPE WS-508 TO WG-103 DOORS D2-15; D3-11; D4-14

Rev	Issue	Revision Description	And	Date
A	SG	ISSUED FOR CONSTRUCTION		21.10.13



Client
University of Melbourne
Parkville Campus

Project
Faculty of Architecture
Building and Planning

Title
DOOR JAMB DETAILS
SHEET 05

Project No.	0913	Scale	
Drawing No.	AR 7510	Revision	A
Date	Dwn	Co-Ord	Chk

FILENAME - \$FILES

FOR CONSTRUCTION